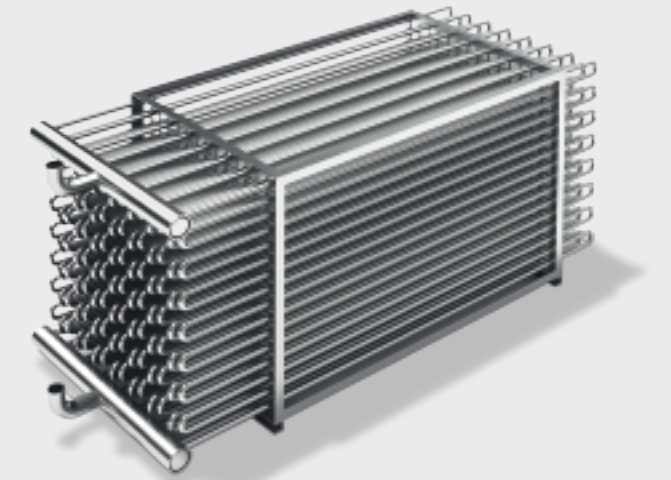
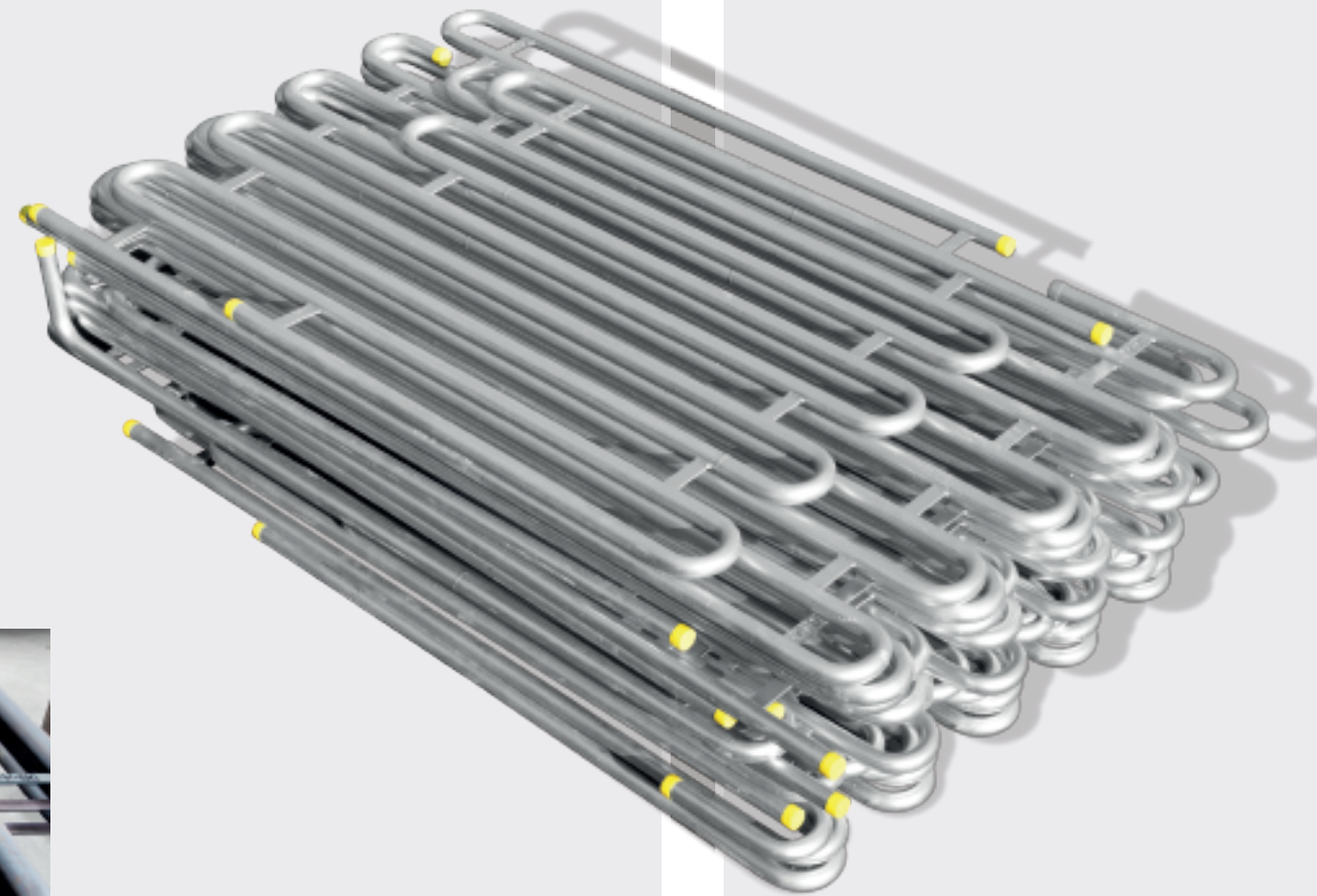


Enfriadores de tubo liso

Smooth Tube Coolers



Serpentines de tubo liso
Smooth Tube Coils



Batería de serpentines de tubo liso
Smooth Coils Battery



Homologaciones y certificaciones / Approvals and certifications

Procedimientos de soldadura DNV (arco sumergido, MIG y TIG) y talleres homologados por RINA, Lloyd's Register, American Bureau of Shipping y Bureau Veritas.

DNV welding procedures (submerged arc, MIG and TIG) and workshops approved by RINA, Lloyd's Register, American Bureau of Shipping and Bureau Veritas.



Fabricantes de recipientes a presión, Clase 2.1 por Lloyd's Register Emea.

Pressure vessel manufacturer, Class 2.1 by Lloyd's Register Emea.



Fabricante de recipientes a presión clases I y II por DNV-GL.

Manufacturer of Class I and II pressure vessels by DNV-GL.



Fabricantes de tubería y recipientes a presión Modo II por Bureau Veritas Marine Division.

Manufacturer of piping and pressure vessels Mode II by Bureau Veritas Marine Division.



Fabricante de recipientes a presión. Reconocido por Russian Maritime Register of Shipping.

Manufacturer of pressure vessels. Recognized by the Russian Maritime Register of Shipping.



Fabricante de recipientes a presión nº 59 PO. Empresa instaladora y reparadora de aparatos a presión: EIP-2 36/20 - ERP-2 36/20.



Manufacturer of pressure vessels no. 59 PO. Pressure equipment installation and repair company: EIP-2 36/20 - ERP-2 36/20.