



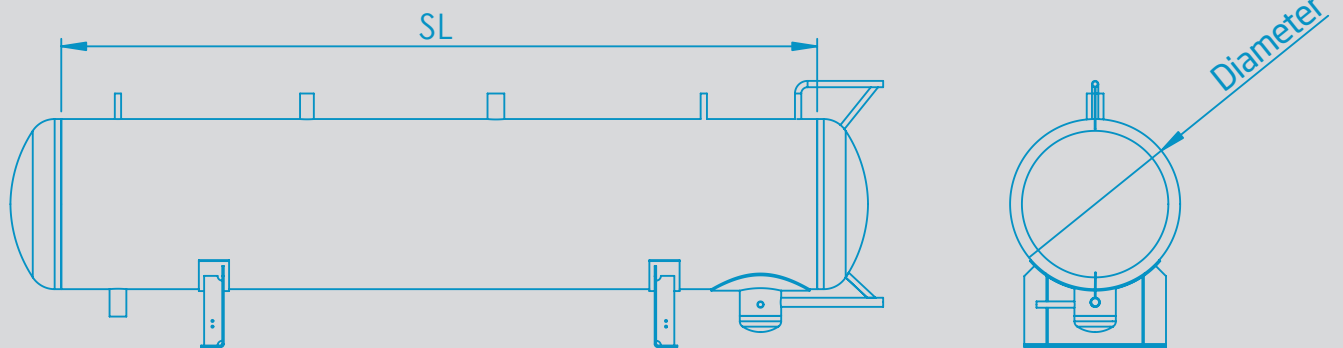
02

Industrial Refrigeration

Liquid Receiver



Liquid Receiver



Diameter: mm | SL= mm

Design Pressure: bar

Design Temperature (max/min): °C

Classification:

CE
 DNV
 LR
 RMRS
 BV
 Others