



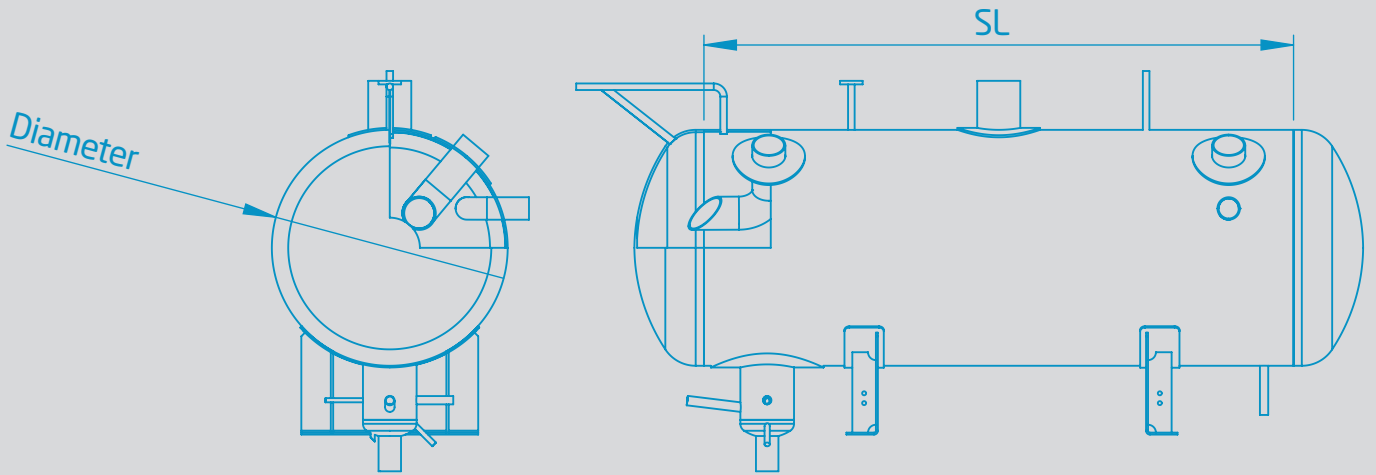
# 01

Industrial Refrigeration

## Particles Separator



## Particles Separator



Diameter: mm | SL= mm

Design Pressure: bar

Design Temperature (max/min): °C

Classification:

CE     DNV     LR     RMRS     BV     Others