



09

Industrial Refrigeration

Pipe Battery with Corrugated Helicoidal Fin

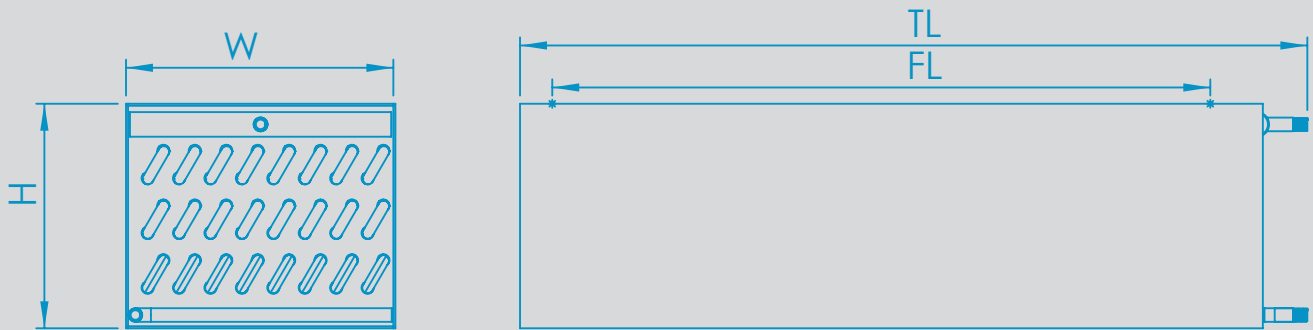
Carbon Steel

Galvanized carbon Steel Ac/EN 1461

Stainless Steel (304/316L)



Pipe Battery with Corrugated Helicoidal Fin



H= mm | W= mm | TL= mm | FL= mm | Surface= m²

Design Pressure:

Design Temperature (max/min):

Classification:

- CE
 DNV
 LR
 RMRS
 BV
 Others